

Best guns for color change

The optimized design, the smooth material and the innovative nozzles make Gema guns the best for color change

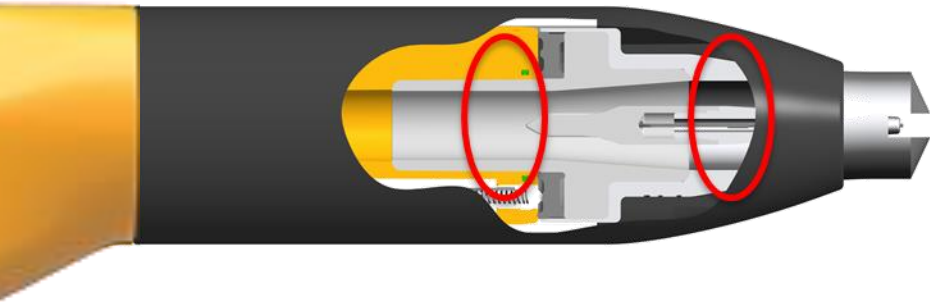


High quality
non-stick material

Ideal internal design of
the powder path

Optimized
gun body design

Ideal design of the powder path



- The inside diameter remains constant and the transition between the different parts of the gun is very smooth
- These features prevent powder depositions inside the gun and facilitate the cleaning procedures

Result:

- **Straight, deposition-free path**
- **Constant powder output**

Optimized gun body design

- The OptiGun body has a very regular “drop shape”
- This strongly reduces the powder accumulation on the gun body during the application process
- The drop shaped body is very easy to automatically clean with blow-off nozzles in combination with horizontal in/out axis

Result:

- **Fast, contamination-free color change**



High quality non-stick material components

- The OptiGun's and OptiSelect's components are carefully designed to minimize powder accumulations
- The use of high quality non-stick materials prevents powder accumulations and short circuit tendency with metallic powder

Result:

- **Spitting-free application and perfect color changes**

