

Ultrasonic sieve system

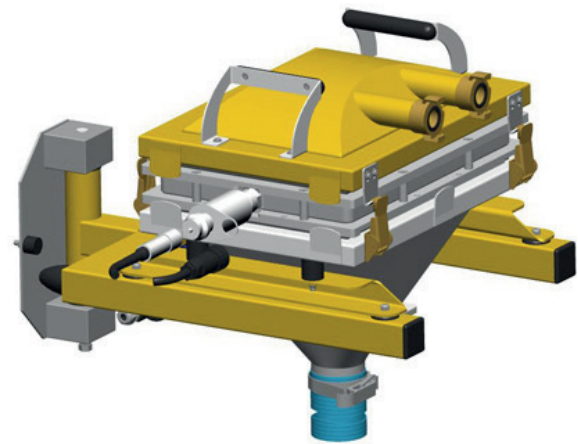
(US03-1 / US03-2)

Improved powder characteristics with high powder flow rate

The US03 Ultrasonic sieve system with the corresponding USC02 Ultrasonic sieve generator is used for the ultrasonic supported sieving of coating powder.

Main benefits of the US03 Ultrasonic sieve system:

- Loosening of the coating powder
- Removal of powder accumulations
- High powder flow rate with fine sieve mesh and small sieve surface
- Quick and easy cleaning
- Low power consumption
- Quiet operation
- Compliant to ATEX



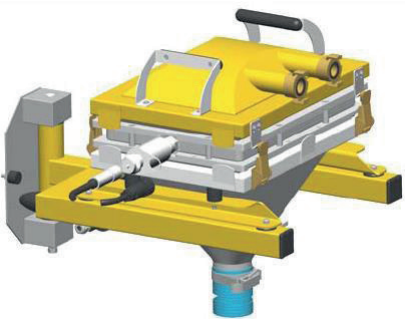


USC02 Ultrasonic sieve generator

Ultrasonic sieve system (US03-1 / US03-2)

Powder flow rate with standard sieve (200 µm):
3500 g/min (210 kg/h)

Powder flow rate with sieve (140 µm):
1500 g/min (90 kg/h)



US03-1 Ultrasonic-sieve system
for the use with a swivel frame

Electrical connection:	200-240 V, max. 1 A
Frequency:	50/60 Hz
Max. ultrasonic performance:	100 W eff.
Output voltage:	max. 800 V eff.
Ambient temperature:	0-40°C
Max. relative air humidity:	80% at 30°C
Protection type complete System:	IP6x

US03-1

Adapted for:

- Attached to powder center, "Stand alone" solution
- Retrofit of PS-5 Sieve machines



US03-2 Ultrasonic sieve system
for the use with sieve support

US03-2

Adapted for:

- Integration in powder center of Gema Switzerland GmbH
- Quick color change

Gema Switzerland reserves the right to make technical changes without notice!

Gema Switzerland GmbH

Mövenstrasse 17 | 9015 St.Gallen | Switzerland
T +41 71 313 83 00 | F +41 71 313 83 83
www.gemapowdercoating.com

