

# Application Success Stories

## ELİT JANT Sanayi ve Tic. A.Ş. Turkey



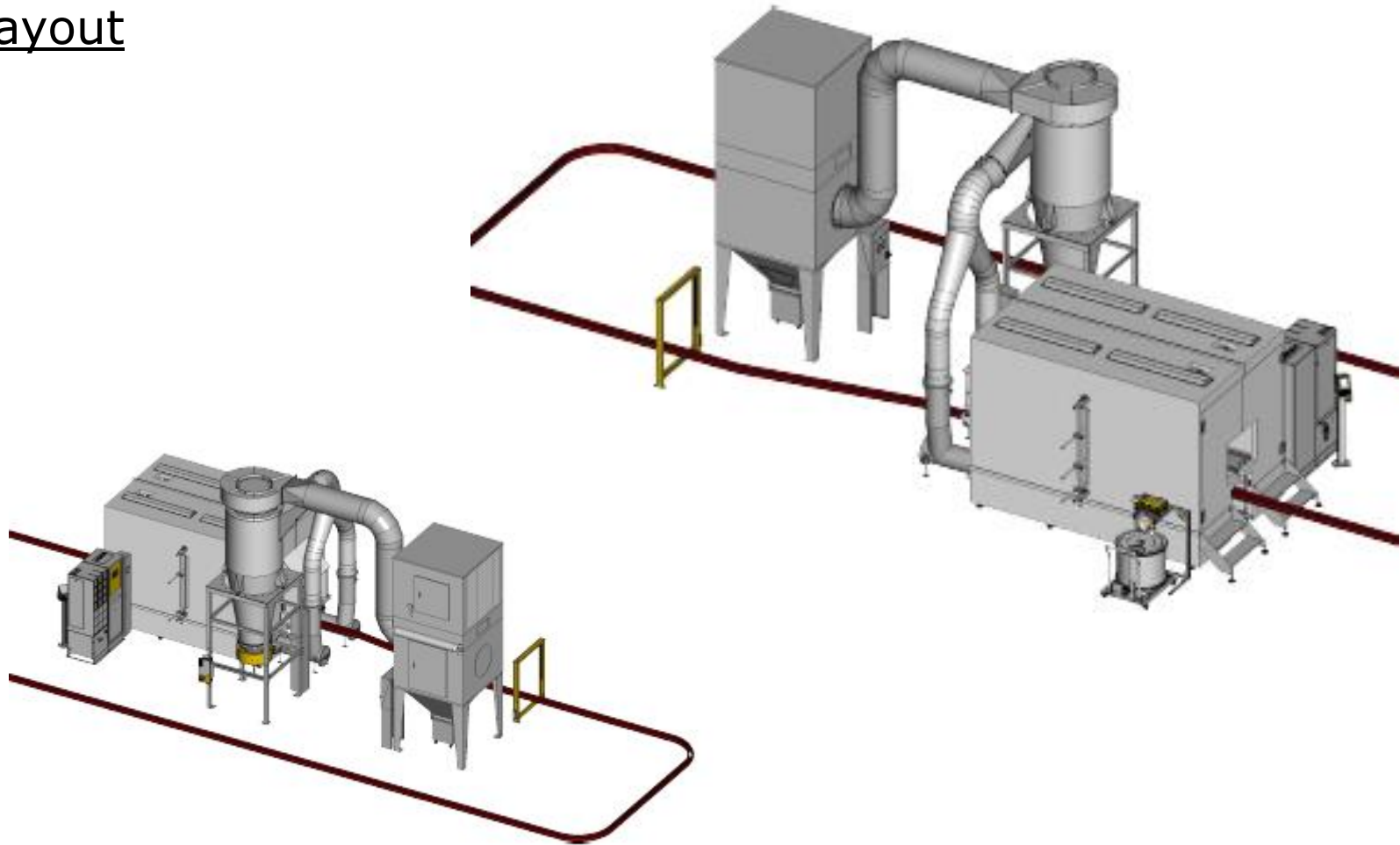
Easy Color Change

High Quality

Low Powder  
Consumption

# Application Success Stories

## Layout



# Application Success Stories

## Installation Key Data

**Parts:** Alloy Wheels

**Part Size:** up to 24 ″

**Conveyor Speed:** 2,0 m/min

### **Scope of delivery:**

1 x OptiFlex® Automatic AS06 / 6P

2 x Holder for fixed guns

1 x MagicControl CM22 system control

1 x MagicCompact® EquiFlow® RA booth  
12'000 cbm/h

1 x Powder Hopper with ultrasonic sieve

6 x OptiFlow Injector IG06



# Application Success Stories



ELIT Jant is an alloy wheel supplier mainly for the international after market. With its attractive design it is a well know brand for first call alloy wheels.

## **Why a new Booth?**

The old stainless steel booth was not ready for color changes and the customer experienced a lot of powder loss. The coating of the wheels

was also not stable. Also the general working environment has been very dirty. Those conditions needed to be improved and the customer was seeking a solution that offered easy color changes and less powder consumption.

## **Results since the start?**

With the new Gema installation the powder consumption was decreased

by 40 % due to recovery and a more efficient coating process. Furthermore, the coating quality was enhanced, which was a key benefit for the customer. The factory cleanliness was also significantly improved. The Gema installation gave the customer a lot of benefits and a better end product.